



N298F

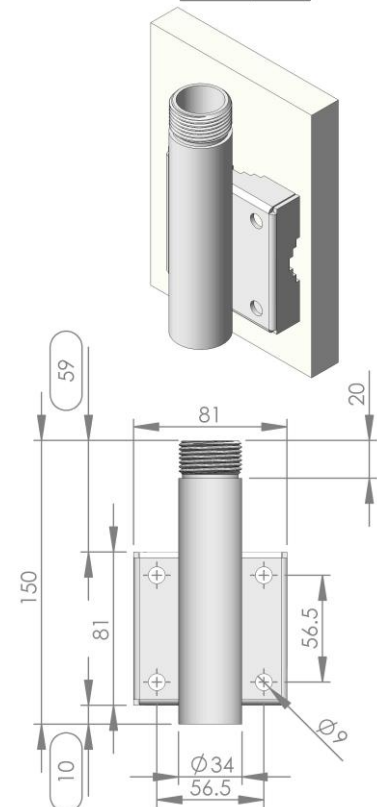
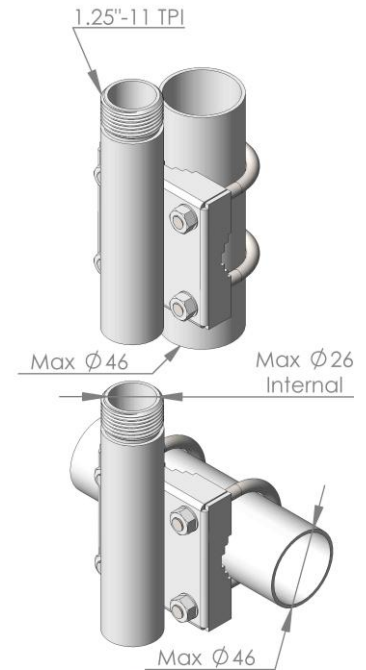
Mast mount

This is a universal mast mount for mounting pipe with max $\varnothing 46\text{mm}$ (1.8") in diameter.

It is a very versatile pole mount with installation friendly front mount. The bracket fits both horizontal and vertical pipes and is wall mountable.

Mechanical Specification:

Material	Stainless steel (SS316)
Finish	Polished
Weight	0.70kg (1.55 lbs)
Mounting method	Mast mount
Thread	1 1/4"-11 TPI, external



This part fits with:

This product fits all AC Marine products with an internal 1.25"-11 TPI thread, which is ideal for the N240F revolving nut. Hence this mount fits antennas such as the CX4, CX3 5/8 and Cellular antennas.