

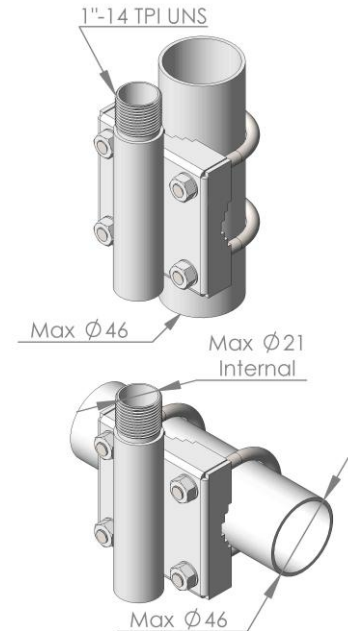


N220F

Mast mount

This is a universal mast mount for mounting on pipe with max $\varnothing 46\text{mm}$ (1.8") in diameter.

It is a very versatile pole mount with installation friendly front mount. The bracket fits both horizontal and vertical pipes and is wall mountable.



Mechanical Specification:

Material	Stainless steel (SS316)
Finish	Polished
Weight	0.50kg (1.10 lbs)
Mounting method	Mast mount
Thread	1"-14 TPI, external



This part fits with:

This product fits all AC Marine products with an internal 1"-14 TPI threads, which is ideal for ferrule mounted antennas. Hence this mount fits antennas such as the CELmar4, CELmar3 and CELsea1.

