



## E180F

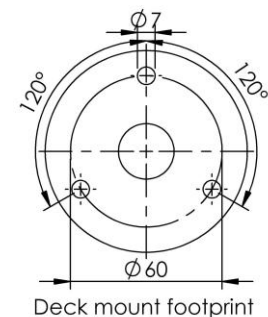
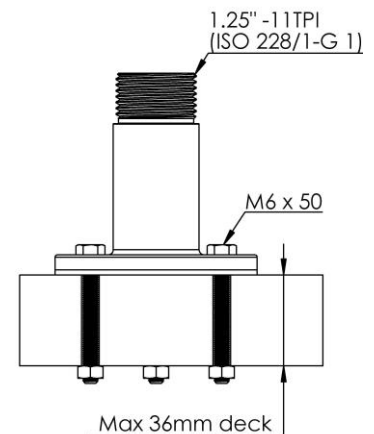
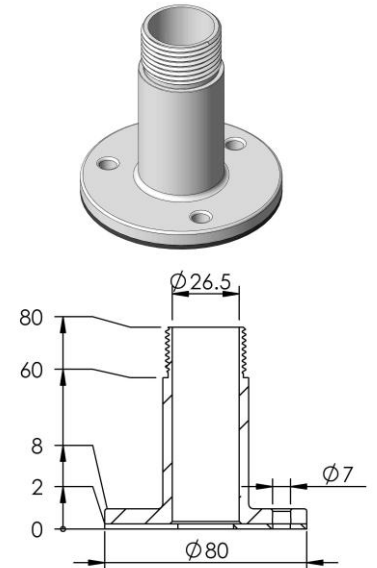
### Deck mount

This universal deck mount is delivered as a complete kit including EPDM rubber gasket for ingress protection and M6 x 50 mm bolts. The supplied bolts allow for a deck thickness of up to 36 mm.

The mount is intended for applications where the coaxial cable is protected inside the mount and cable feeding through the deck.

#### Mechanical Specification:

<b>Material</b>	Stainless Steel
<b>Finish</b>	Polished
<b>Weight</b>	0.65kg (1.45 lbs)
<b>Mounting method</b>	Deck mount
<b>Thread</b>	1 1/4" -11 TPI, external



#### This part fits with:

This product fits all AC Marine products with an internal 1.25" -11 TPI threads, which is ideal for the N240F revolving nut. Hence this mount fits antennas such as the CX4, CX3 5/8 and Cellular antennas.