



E179F

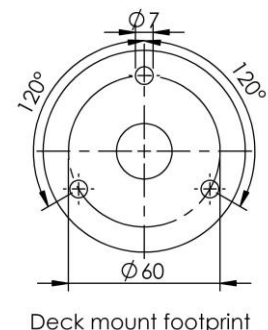
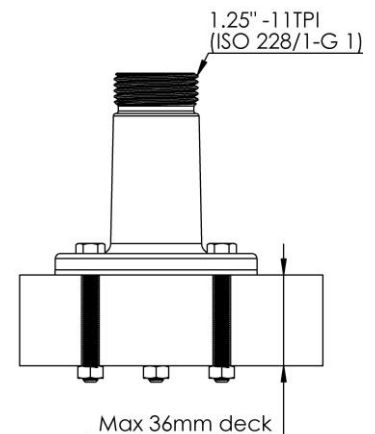
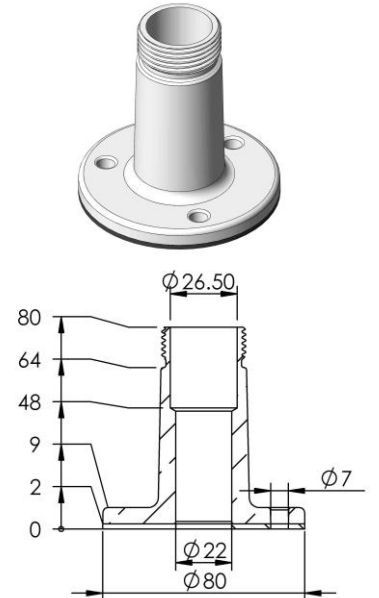
Deck mount

This universal deck mount is delivered as a complete kit including EPDM rubber gasket for ingress protection and M6 x 50 mm bolts. The supplied bolts allow for a deck thickness of up to 36 mm.

The mount is intended for applications where the coaxial cable is protected inside the mount and cable feeding through the deck.

Mechanical Specification:

Material	Brass
Finish	Chrome Plated
Weight	0.70kg (1.55 lbs)
Mounting method	Deck mount
Thread	1 1/4"-11 TPI, external



This part fits with:

This product fits all AC Marine products with an internal 1.25"-11 TPI threads, which is ideal for the N240F revolving nut. Hence this mount fits antennas such as the CX4, CX3 5/8 and Cellular antennas.