



## KUM903-2DM

### HF/SSB Marine Antenna

KUM903-2DM is a 3 section omnidirectional side-fed HF transceiver antenna for automatic antenna tuned systems for both fishing and commercial vessels. The KUM903-2DM is manufactured in premium quality materials in order to prevent galvanic corrosion. Radiating elements are made of copper.

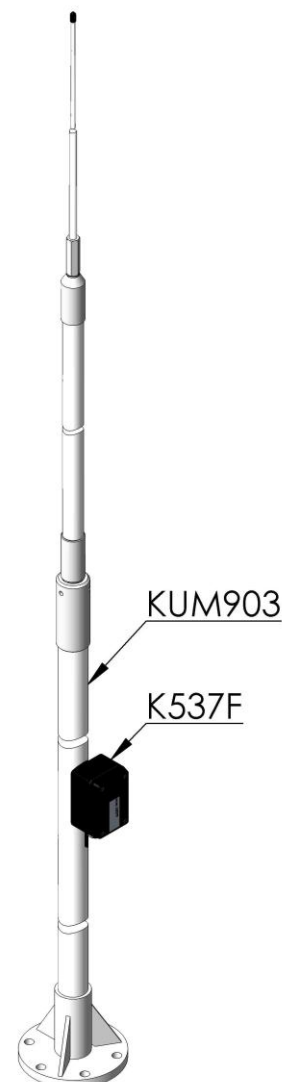
KUM903-2DM is sold worldwide during more than three decades. The antenna is subject for improvement at all times. The antenna has the same rugged design as all other AC Marine antennas thus it withstands harsh environmental conditions.

#### Electrical specifications:

Frequency range (MHz)	1.4-30
Maximum power (Watts)	1200 PEP
Maximum HF Voltage (kV)	18
Insulation Resistance	> 10 E9
Static Capacitance (pF)	100
Polarization	Vertical
DC-shortcd	No

#### Mechanical specifications:

Length (m/ft)	9.05/30.0
Weight (kg/lbs)	9.6/21.2
Wind load @ 160 km/h (N)	357
Material	Fibre glass
Colour	White (Polyurethane lacquer)
Temperature range (°C/°F)	-40 to +60 / -40 to +140



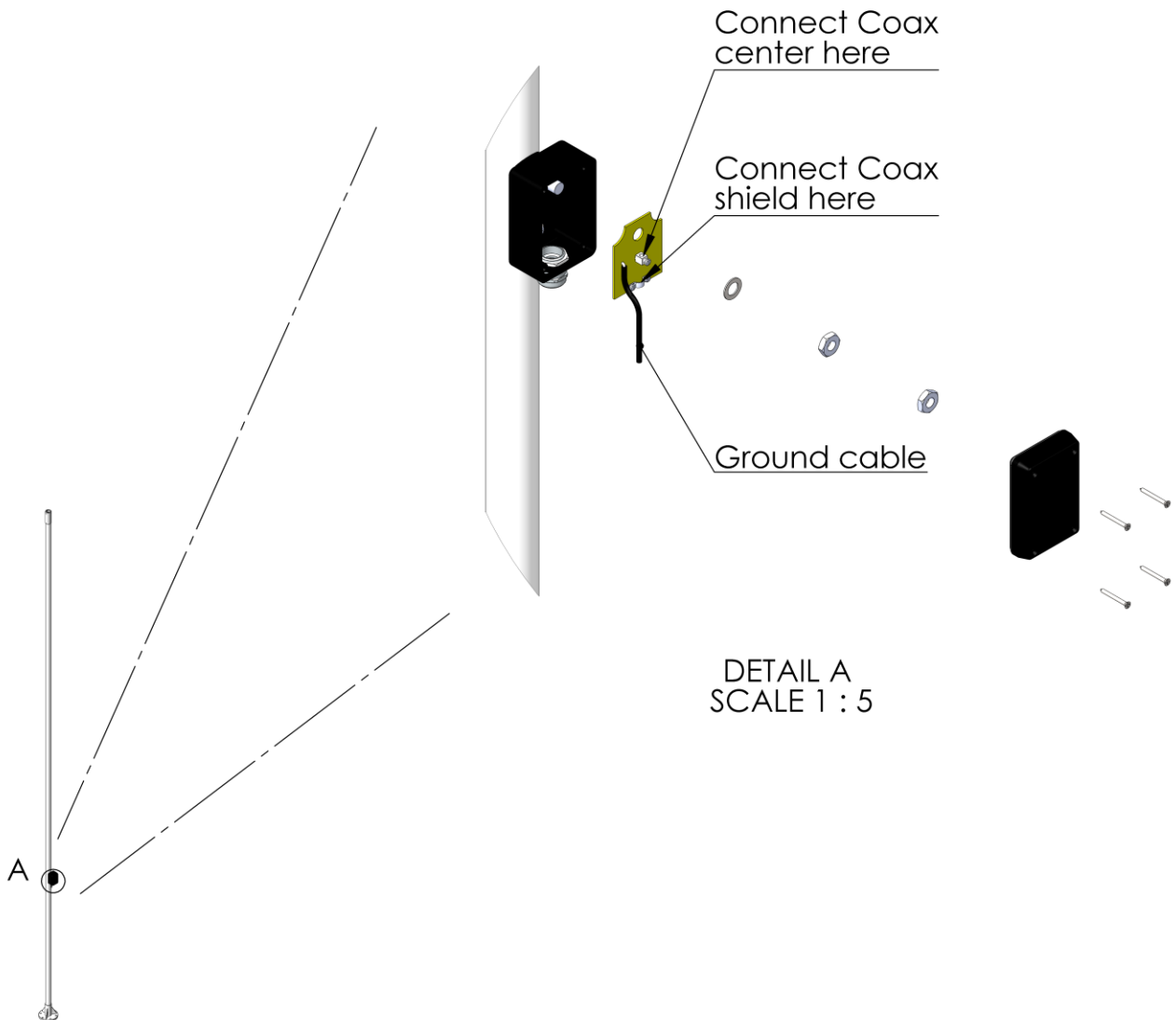
#### Mounting:

No mount included. K537F connection transformer box is included, for receiver function at low frequencies or long feeder cable.

Deck mount included, self-supporting structure.



## Cable connection:





## Mounting:

