



## KUM803-1DM

### HF/SSB Marine Antenna

KUM803-1DM is a 3 section omnidirectional side-fed HF transceiver antenna for automatic antenna tuned systems for both fishing and commercial vessels. The KUM803-1DM is manufactured in premium quality materials in order to prevent galvanic corrosion. Radiating elements are made of copper.

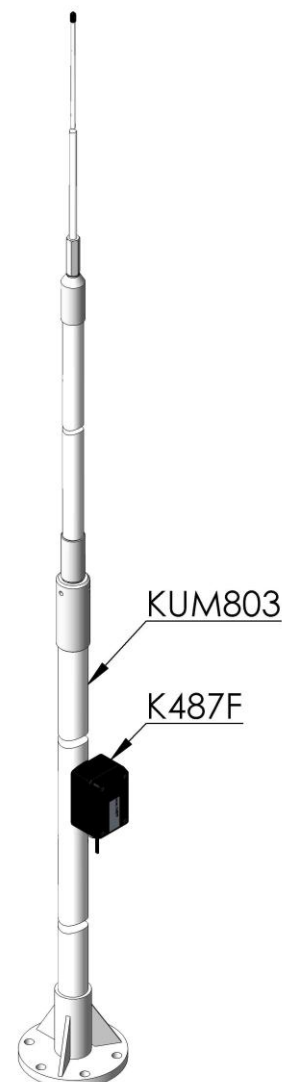
KUM803-1DM is sold worldwide during more than three decades. The antenna is subject for improvement at all times. The antenna has the same rugged design as all other AC Marine antennas thus it withstands harsh environmental conditions.

#### Electrical specifications:

Frequency range (MHz)	1.4-30
Maximum power (Watts)	1200 PEP
Maximum HF Voltage (kV)	18
Insulation Resistance	> 10 E9
Static Capacitance (pF)	100
Polarization	Vertical
DC-shortcd	No

#### Mechanical specifications:

Length (m/ft)	8.0/26.0
Weight (kg/lbs)	8.3/18.3
Wind load @ 160 km/h (N)	327
Material	Fibre glass
Colour	White (Polyurethane lacquer)
Temperature range (°C/°F)	-40 to +60 / -40 to +140



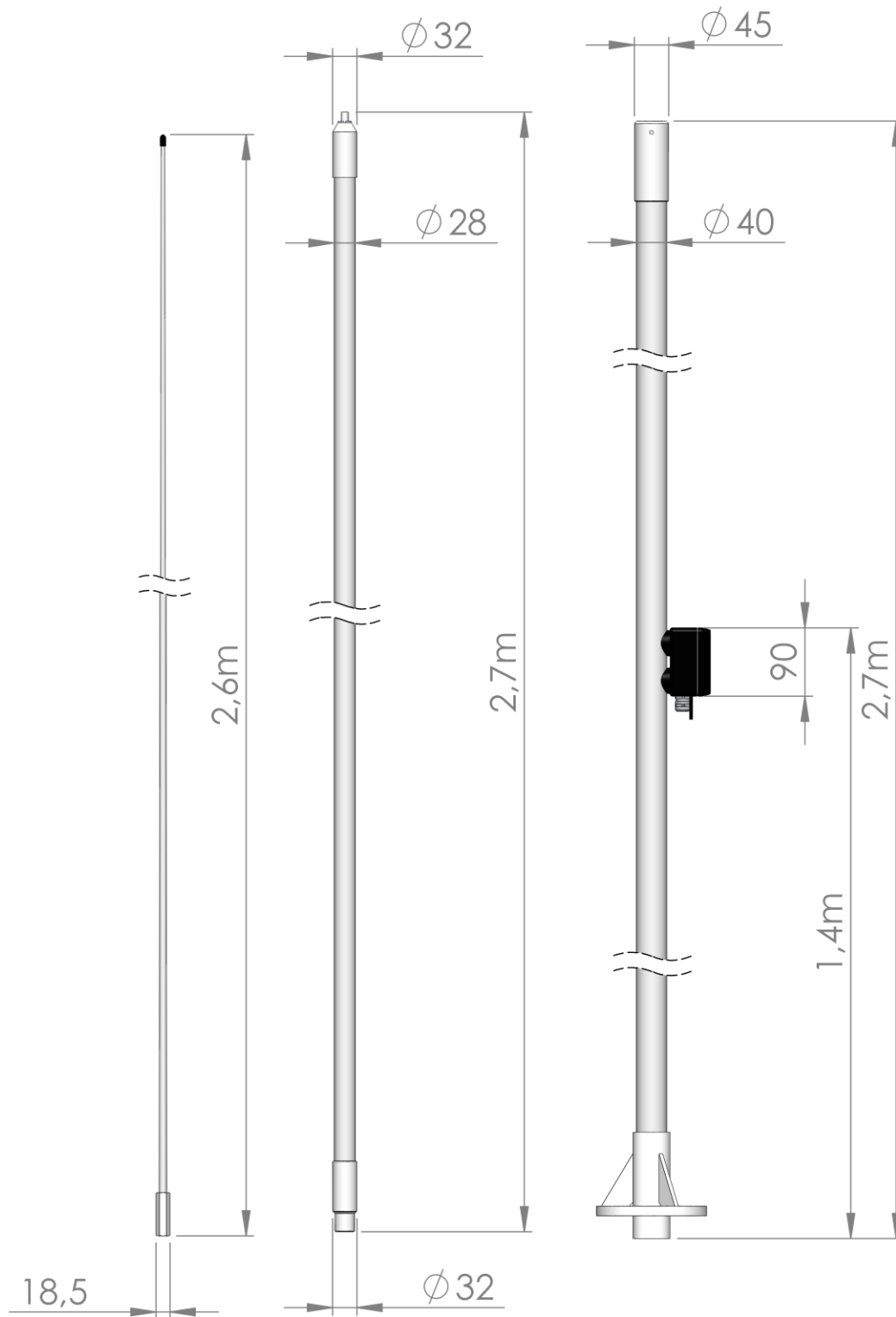
#### Mounting:

No mount included. K487F connection box for connection with coaxial cable included.

Deck mount included, self-supporting structure.

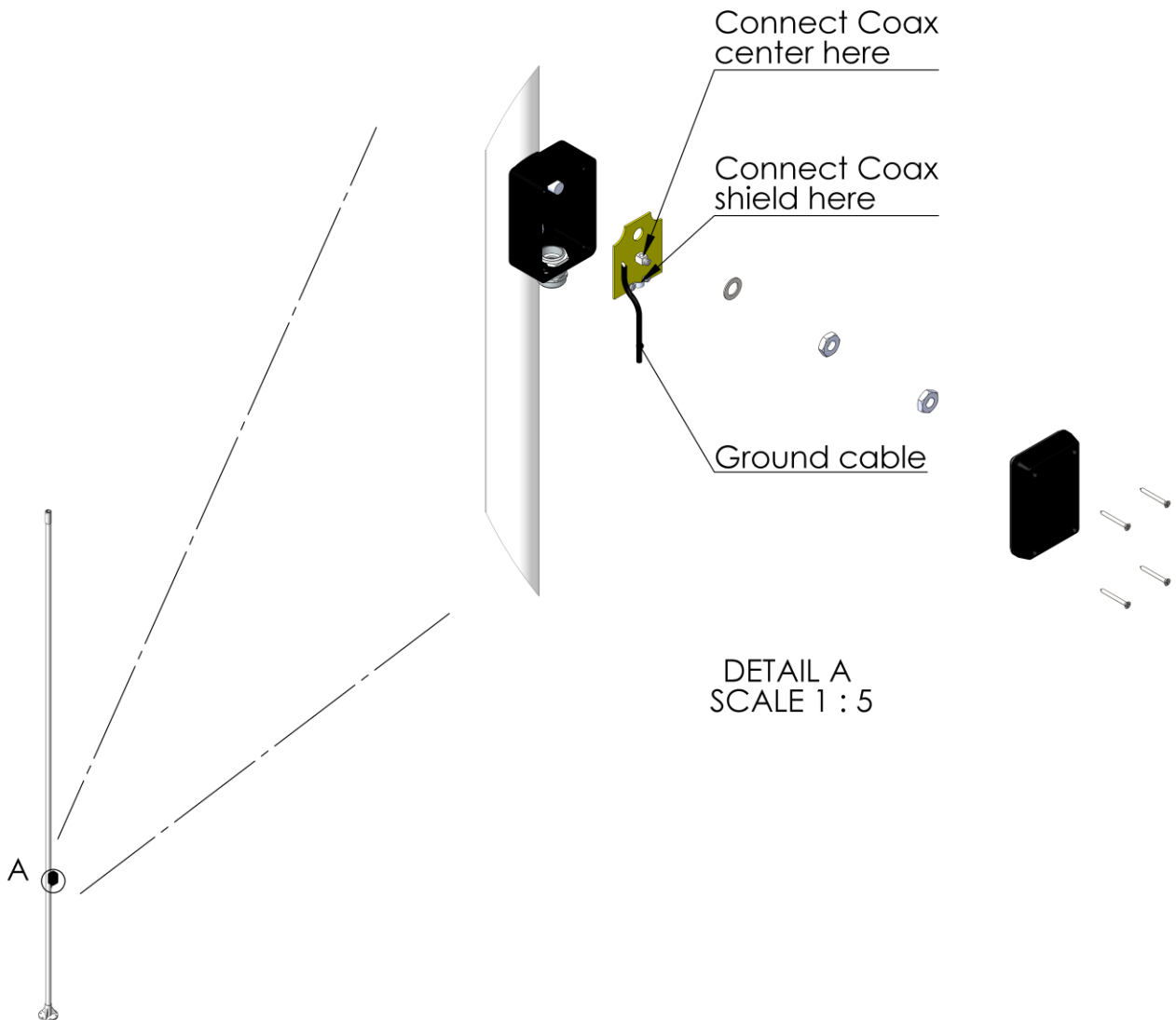


## Dimensions:





## Cable connection:





## Mounting:

