



GP2M 5/8

VHF Ground Plane Antenna

GP2M 5/8 is a 5/8 wave ground plane antenna with four radials. The GP2M 5/8 is manufactured in premium quality materials in order to prevent galvanic corrosion. The antenna fits 27mm / 1 1/16" pipes directly. Suitable for fishing and commercial applications.

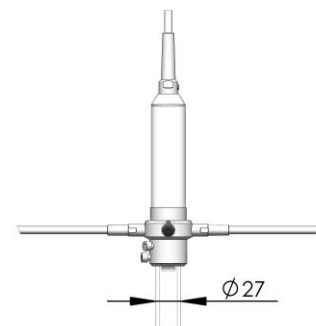
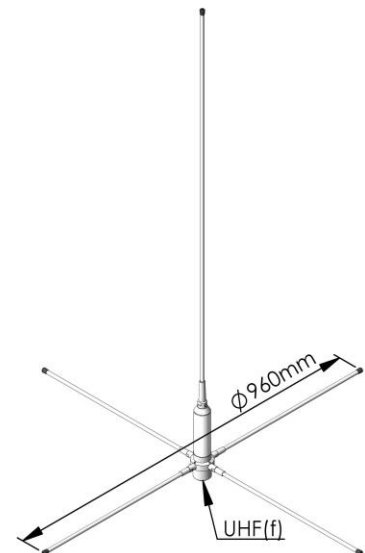
GP2M 5/8 is sold worldwide during more than three decades. The antenna is subject for improvement at all times. The antenna has the same rugged design as all other AC Marine antennas thus it withstands harsh environmental conditions.

Electrical specifications:

Frequency range (MHz)	156.0-162.5
Nominal impedance (ohm)	50
VHF power rating (Watt)	250
Gain (dBd/Marine dB)	3/6
VSWR	< 1.5:1
Polarization	Vertical
Connector	UHF-female
DC-shorted	Yes

Mechanical specifications:

Length (m/ft)	1.21/4.0
Weight (kg/lbs)	1.50/3.3
Wind rating (m/s / mph)	45/101
Material	Fibreglass
Colour	White polyurethane lacquer
Temperature range (°C/°F)	-40 to +60 / -40 to +140



For mounting on a Ø27 pipe (not included)

Mounting:

No Mount included.