



CX3 5/8-2

VHF Marine Antenna

CX3 5/8-2 is a collinear coaxial omnidirectional dipole antenna. The CX3 5/8-2 is manufactured in premium quality materials in order to prevent galvanic corrosion. Radiating elements are made of brass.

CX3 5/8-2 is sold worldwide during more than three decades. The antenna is subject for improvement at all times. The antenna has the same rugged design as all other AC Marine antennas thus it withstands harsh environmental conditions.

Electrical specifications:

Frequency range (MHz)	149-156
Nominal impedance (ohm)	50
VHF power rating (Watt).	100
Gain (dBd/Marine dB)	3/6
VSWR	< 1.5:1
Polarization	Vertical
Connector	UHF-female
DC-shorted	Yes

Mechanical specifications:

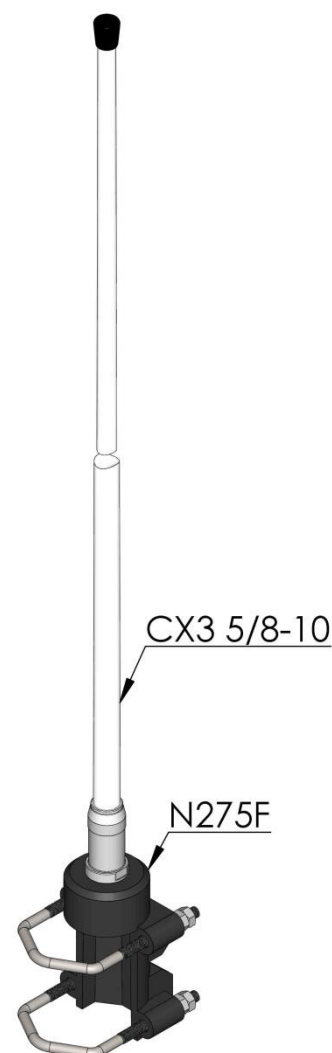
Length (m/ft)	2.63/8.7
Weight (kg/lbs)	0.7/1.6
Wind rating (m/s / mph)	45/101
Material	Fibre glass
Colour	White (Polyurethane lacquer)
Temperature range (°C/°F)	-40 to +60 / -40 to +140

Mounting:

N275F mount included.

N200F to be ordered separately for upper support.

Can be used with all 1"-14 TPI standard AC Marine mounting equipment.



Vertical Pattern

